

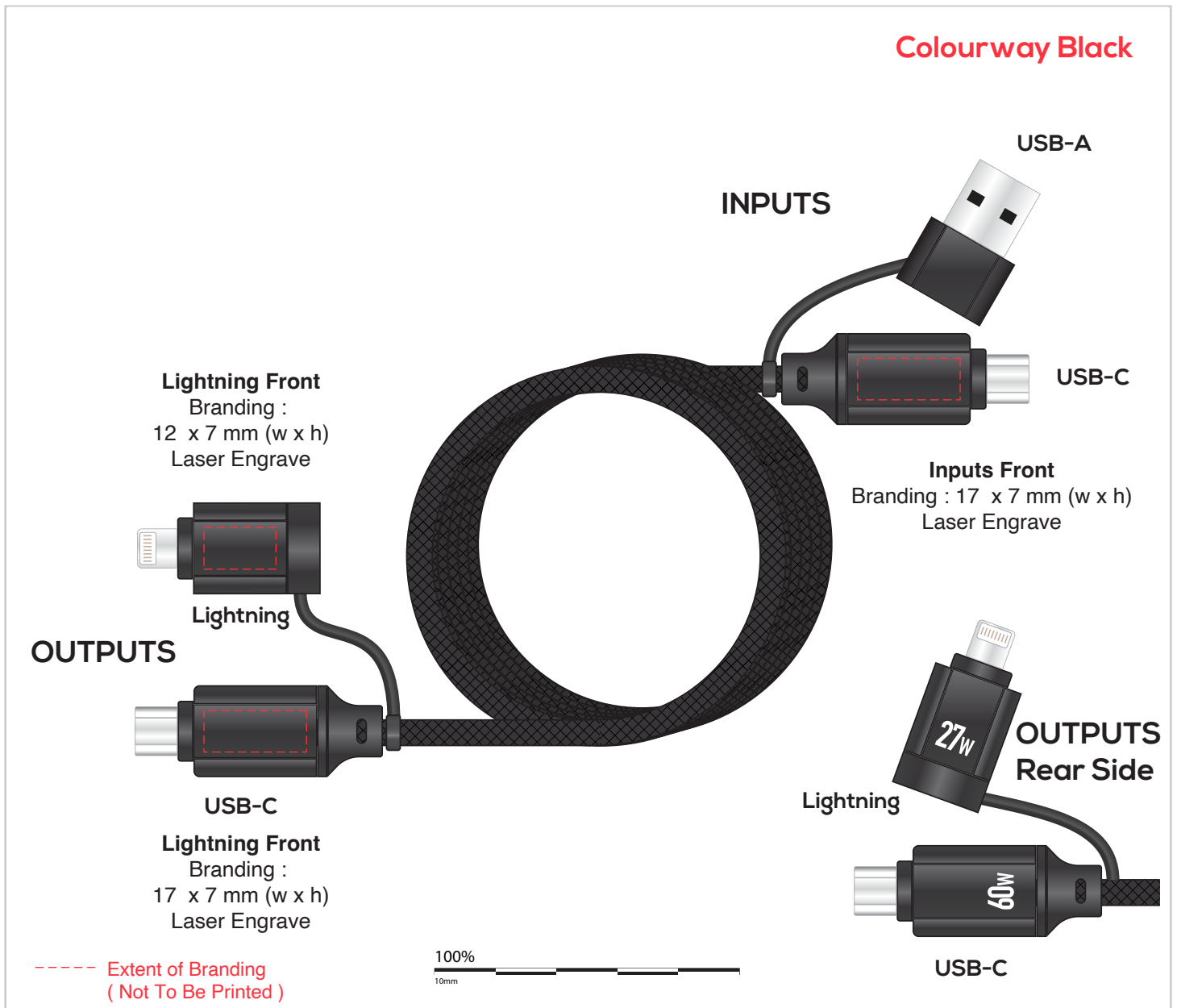
**AR1604**

**Brescia Mag-Coiling (60W) Fast Charging Data Cable**

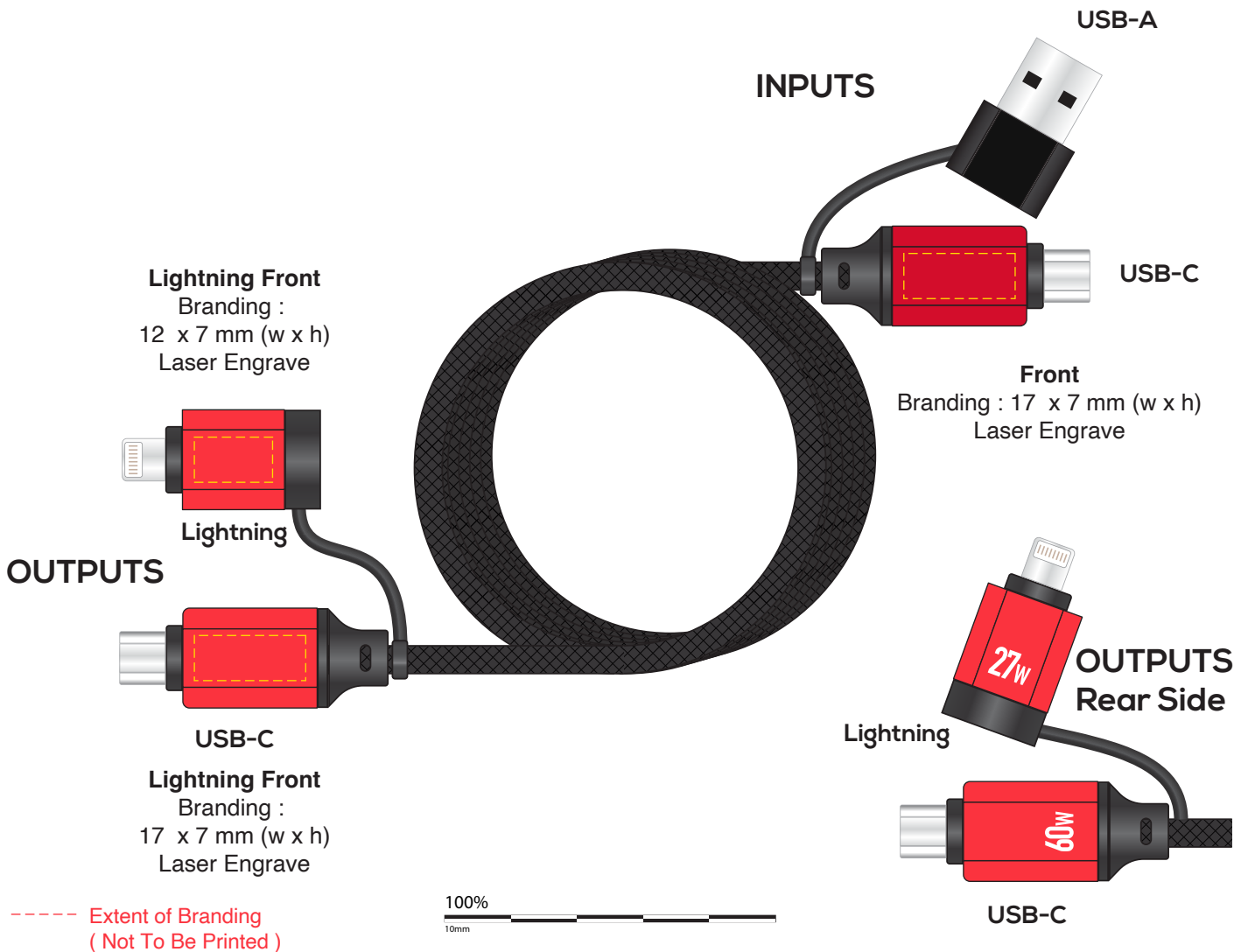
**Branding Options:** Laser Engrave

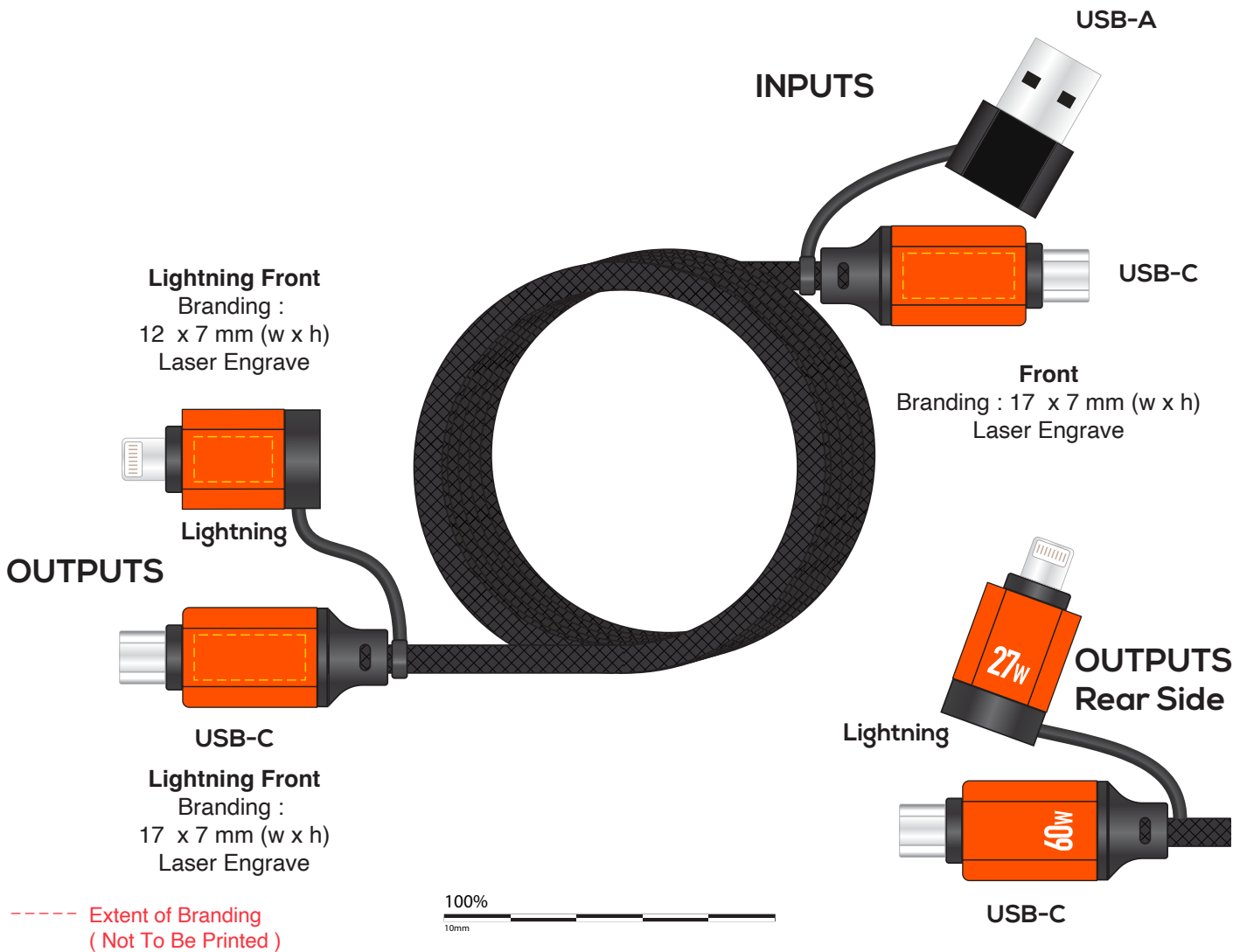
**Product Size:** 65 x 65 x 30 Cable Length: 120cm, USB-A/Type-C Head: 55 x 15.5 x 8 mm, Lightning/Type-C Head: 62 x 15.1 x 7.6 mm

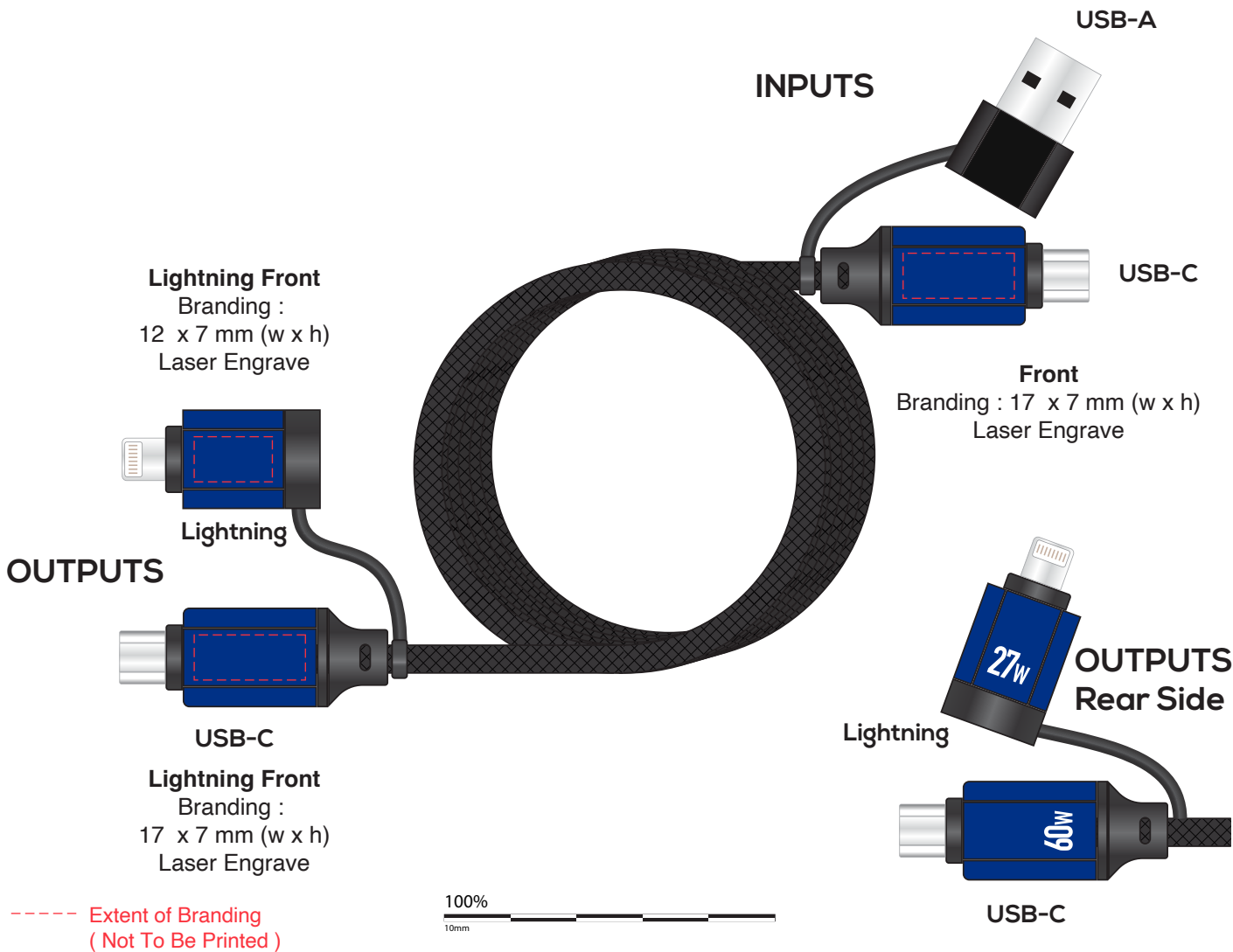
**Colours:**

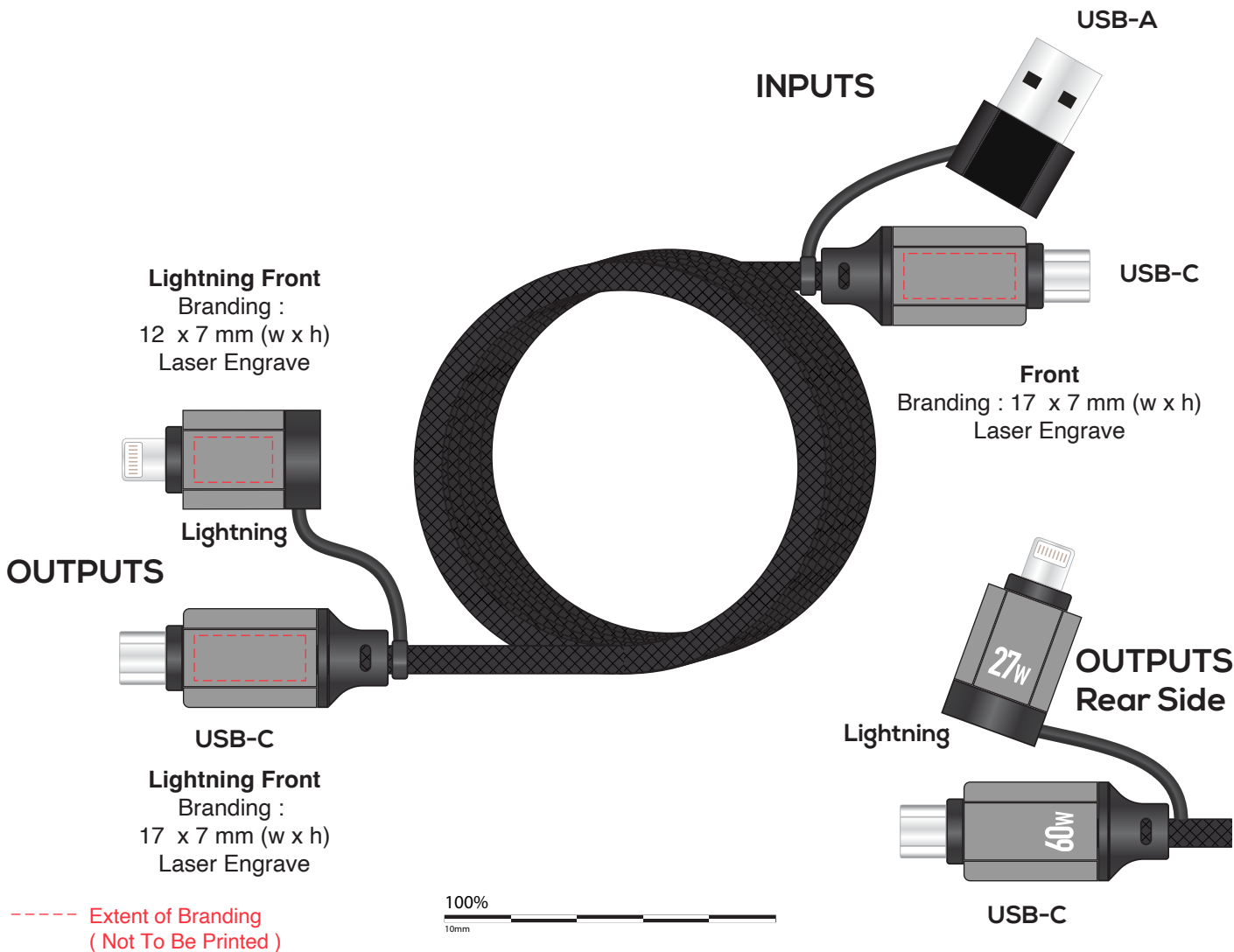


Please follow these artwork guidelines • Use and supply vector-based artwork • Illustrator compatible EPS or PDF with all fonts outlined • Indicate any necessary colour details with the correct PMS colour • All Pantone colours need to be supplied as Pantone Coated (PMS C) colours • All specifics need to be “embedded” in the file, i.e. no linked artwork should be provided • Bleed is crucial when printing edge to edge. Artwork must extend beyond the finished and trim size dimensions.











**Packaging Top**

Branding :  
40 x 40 mm (w x h)  
Laser Engrave

----- Extent of Branding  
( Not To Be Printed )

